



# VERTICAL COUPLER

## User manual

This manual is subject to change without further notice. No rights can be derived from this manual. No part of this manual may be reproduced, in any form or by any means, without prior written consent from AED Distribution NV, Belgium. AED Audio is a registered trademark of AED Distribution NV.

Table of Contents

Table of Contents .....	2
The AED Audio Vertical Coupler Manual.....	3
Introduction.....	3
Disclaimers.....	3
Intended use .....	3
Symbol description.....	4
Symbols used .....	4
Abbreviations used.....	4
Revision history .....	4
Contact details Manufacturer.....	5
Manufacturer’s declarations .....	5
EU declaration of conformity .....	5
Licenses and credits.....	5
General Safety information and general safety instructions .....	6
Warnings.....	6
Safety features & devices of the Product .....	6
Modification .....	7
System components.....	7
General characteristics and technical specifications .....	7
Do’s and Don’ts.....	9
Transportation, handling and commissioning .....	10
Transportation.....	10
Remove the shipping assembly .....	10
Installation.....	10
Maintenance .....	11
Repair.....	11
Contact details certified repair center .....	11
Notes .....	12

## The AED Audio Vertical Coupler Manual

### Introduction

Thank you for purchasing this AED Audio Vertical coupler.

This manual (hereinafter referred to as the “Manual”) is intended to be used as work of reference for professional, well trained and authorized users to be able to safely install, use, maintain and repair the product mentioned on the cover of this document (hereinafter referred to as the “Product”). The observation of the Manual does not dispense the user from the observance of the local safety instructions and regulations other than provided by the Manual. Such safety instructions and regulations must be observed at all time.

For information about specific adjustments, maintenance or repair jobs which are not dealt within this manual, please contact your Product supplier or AED Audio. If you suspect that the Product is damaged or detect a potential or actual danger when using the Product, immediately discontinue use of the Product and contact your supplier. To ensure the safe use of the Product this Manual must always be kept with the Product in legible condition.

### Disclaimers

AED Audio, AED DISTRIBUTION SA, with registered office at Bedrijvenpark De Veert 13/4, 2830 Willebroek (Belgium), or any of its affiliates, does not accept any liability for material damage, including damage to the Product, or personal injury caused by non-observance by the user of the safety instructions in the Manual or the applicable laws. As such AED Audio shall among others not be liable for any damage or injury if the Product is used contrary to or for purposes other than its intended use, is installed, used, maintained or repaired negligently or contrary to the instructions mentioned in the Manual or on the Product, when the Product is modified and when the safety devices and features of the Product are disregarded or overridden.

### Intended use

This system is intended for use by trained personnel for professional applications. The Product is not intended to be used by minors. Any use, regardless whether or not under the supervision of an adult, is at own risk.



## Contact details Manufacturer

AED Distribution

Bedrijvenpark De Veert 13,  
2830 Willebroek – Belgium

Tel.: +32 3 860 76 66

Mail: [info@aedaudio.com](mailto:info@aedaudio.com)

<http://www.aedaudio.com>

## Manufacturer's declarations

EU declaration of conformity



Licenses and credits

## General Safety information and general safety instructions

For your own safety, please read this instruction manual carefully before turning on the product for the first time.

### Warnings

Always take note of any information marked with the CAUTION or WARNING symbol.







The signal word WARNING points out the potential risk of serious injury.

The signal word CAUTION points out the potential risk of slight injury. The CAUTION symbol is used to draw attention to circumstances which could cause the machine to become damaged.

### Safety features & devices of the Product

The pictograms, warnings and instructions attached to the Product are part of its safety features. They must not be covered or removed and must be present and legible during the entire use of the Product. Immediately replace or repair missing, damaged or illegible pictograms, warnings and instructions.

	<p>The products referred to in this manual conform to the European Community Directives and are therefore marked with CE logo.</p>
	<p>Before operate this unit, please carefully read this users guide and keep if needed in future.</p>
	<p>Keep this device away from children and unauthorized users, the manufacturer will not take responsibility for the damage due to any disregard of the information provided in this manual and wrong operation.</p>
	<p>Don't put or install the device on a surface that subject to vibration or bumps.</p>

## **Modification**

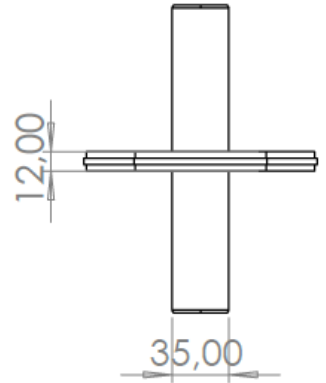
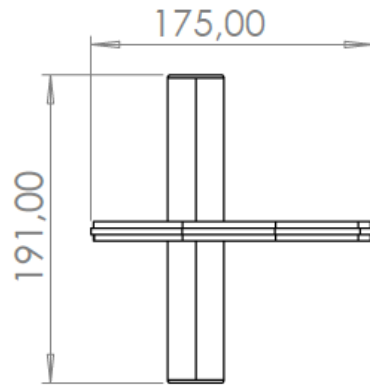
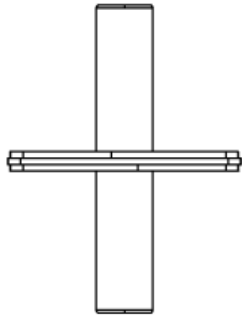
Under no circumstances any modification of the Product may be done by any person other than AED Audio.

## **System components**

### **General characteristics and technical specifications**



- Vertical stacking of FLEX6, SOLID15 and SOLID28
- Can be used in all handles on all the AED Audio speakers
- Metal piece, covered with rubber to protect the wood on the cabinets





## Do's and Don'ts

### Do/Don't?



With the Vertical coupler you can place 2x AED audio flex 6 vertically on top of each other.

! (MAX 2x AED audio Flex 6)



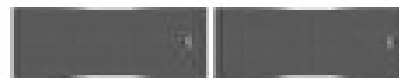
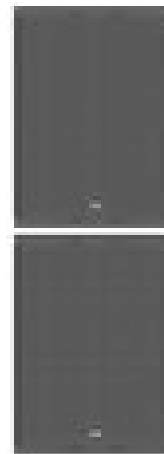
With the Vertical coupler you can place 2x AED audio Solid 15 vertically on top of each other.

! (MAX 2x AED audio Solid 15)



With the Vertical coupler you **CANNOT** hang 2x AED audio flex 6 horizontally.

### Example



## Transportation, handling and commissioning

### Transportation

Keep the product dry and the temperature between 0°C and 30°C to avoid damage to the speaker. Please always handle with care.

### Remove the shipping assembly

Before unpacking the fixture, please make sure that the packaging is in good condition and that following items will be found in the box:

- 1x AED Audio Vertical Coupler

Remove the tape from the box and open the box. Take the unit out and remove the plastic foil around the unit. Make a visual inspection of the unit. Please check condition of units while unpacking, if any damages occur, the unit must be repaired/replaced before it can be used. Please contact your local distributor for service. If units are damaged and still used, AED Audio cannot be held liable for any risk/danger or occurrence given by these damaged units.

### Installation

There are specific regulations like BGV C1 (old VBG 70) or country related regulations which need to attend during the installation. The installation has to be handled by skilled persons only!

Suspension device has to be built and calculated in order to handle up to 10 times its specific load limit over a time of one hour without permanent or harmful deformation. Installation has to be done with a separate, independent suspension device like a safety chain.

Trespassing the danger zone below the installation during the assembling is prohibited.

Installer has to take care of all safety and machinery installations are approved by authorized persons before first operation or after changes before restarting.

Installer has to take care of all safety and machinery installations are approved by skilled persons at least once a year.

Installer has to take care of all safety and machinery installations are approved by authorized persons every four years during the acceptance inspection. Spotlight should ideally installed outside peoples lounge area.

### **Attention**

Installation overhead needs a high level of experience. This includes (but is not just limited to) calculation and definition of load capacity, used installation material and regular safety inspections of used material and the fixture itself. Never try to do the installation by yourself if you are not qualified, instead you have to instruct a skilled installer. Inappropriate installations can cause injuries and/or damage of property.

**Mounting place must be sufficient stable and be able to support a weight of 10 times of the unit's weight.**

**Assure the specified safety distances to flammable material.**

### **Maintenance**

Operation only allowed to qualified person, damages due to unprofessional operation or remove of any parts inside will not be considered in warranty service. There are no serviceable parts inside the device or package, service only leaves to authorize dealers.

### **Repair**

If the Product is damaged or malfunctions, contact the AED Audio Service Department or a AED Audio authorized distributor. Repairs by parties other than AED Audio or a AED Audio authorized distributor may not involve the use of AED Audio genuine parts and may affect the safety and functionality of the Product. For repair options or specific inquiries, please contact the AED Audio Service Department.

### **Contact details certified repair center**

AED Repair

Bedrijvenpark De Veert 11,  
2830 Willebroek – Belgium

Mail: [info.repair@aedgroup.com](mailto:info.repair@aedgroup.com)

<https://www.aedgroup.com/en/services/aed-repair>

## Notes

**All rights reserved.** No part of this manual may be copied or published by means of printing, photocopying, microfilm or otherwise without the prior written consent of the manufacturer. This restriction also applies to the corresponding drawings.

The information given in this manual has been collected for the general convenience of our customers. It has been based on general data pertaining to construction material properties and working methods known to us at the time of issue of the manual and is therefore subject at any time to change or amendment, and the right to change or amend is hereby expressly reserved. The instructions in this manual only serve as a guideline for installation, use, maintenance and repair of the product mentioned on the cover page of this document. This manual is to be used for the standard model of the product of the type given on the cover page. Thus the manufacturer cannot be held responsible for any damage resulting from the application of this manual to any other product.

This manual has been written with great care. However, the manufacturer cannot be held responsible, either for any errors occurring in this manual or their consequences.