



AUDIO[®]
THE LEGACY



SOLID28

User manual

This manual is subject to change without further notice. No rights can be derived from this manual. No part of this manual may be reproduced, in any form or by any means, without prior written consent from AED Distribution NV, Belgium. AED Audio is a registered trademark of AED Distribution NV.



Table of contents

The AED Audio Solid28 Manual.....	3
Introduction	3
Disclaimers	3
Intended use	3
Symbol description	4
Symbols used.....	4
Abbreviations used	4
Revision history.....	4
Contact details Manufacturer.....	5
Manufacturer's declarations	5
EU declaration of conformity.....	5
Licenses and credits	5
General Safety information and general safety instructions	6
Warnings.....	6
Safety features & devices of the Product	6
Other safety notes	7
Modification.....	7
System components.....	8
General characteristics and technical specifications.....	8
Technical data.....	8
Dimensions drawing	9
Transportation, handling and commissioning	10
Transportation.....	10
Remove the shipping assembly.....	10
Installation	10
Loudspeaker configurations	11
Accessories	12
Operation.....	14
Powering on/ off.....	14
Using the main menu.....	14
Maintenance.....	15





Troubleshooting and repair	15
Fault list	15
Repair	16
Contact details certified repair center	16
Notes	17

The AED Audio Solid28 Manual

Introduction

Thank you for purchasing this AED Audio Solid28.

The SOLID28 combined with the SOLID15 in low and the FLEX6 gives you access to a large scale of applications. This double 18 inch band pass powered subwoofer with a 3.000W RMS robust amplifier module gives you a massive output of 137 max SPL! With a frequency response of 25 Hz to 120 Hz, this subwoofer is able to go extremely deep and give you extraordinarily low frequencies with the same connectivity as the complete AED Audio portfolio.

This manual (hereinafter referred to as the “Manual”) is intended to be used as work of reference for professional, well trained and authorized users to be able to safely install, use, maintain and repair the product mentioned on the cover of this document (hereinafter referred to as the “Product”). The observation of the Manual does not dispense the user from the observance of the local safety instructions and regulations other than provided by the Manual. Such safety instructions and regulations must be observed at all time.

For information about specific adjustments, maintenance or repair jobs which are not dealt within this manual, please contact your Product supplier or AED Audio. If you suspect that the Product is damaged or detect a potential or actual danger when using the Product, immediately discontinue use of the Product and contact your supplier. To ensure the safe use of the Product this Manual must always be kept with the Product in legible condition.

Disclaimers

AED Audio, AED DISTRIBUTION SA, with registered office at Bedrijvenpark De Veert 13/4, 2830 Willebroek (Belgium), or any of its affiliates, does not accept any liability for material damage, including damage to the Product, or personal injury caused by non-observance by the user of the safety instructions in the Manual or the applicable laws. As such AED Audio shall among others not be liable for any damage or injury if the Product is used contrary to or for purposes other than its intended use, is installed, used, maintained or repaired negligently or contrary to the instructions mentioned in the Manual or on the Product, when the Product is modified and when the safety devices and features of the Product are disregarded or overridden.

Intended use

This system is intended for use by trained personnel for professional applications. The Product is not intended to be used by minors. Any use, regardless whether or not under the supervision of an adult, is at own risk.





Symbol description

Symbols used

- ▶ Information and tips to ease things for you as you use your AED Audio Solid28.
- @ References to the online AED Audio website, where you can find interesting further information: <https://www.AEDAudio.com>
- ! Prompt to take action. This symbol means that you are being prompted to perform some action.

Abbreviations used

Abbreviation	Definition

Revision history

Version number	date	update
1.0.0		Initial version
1.1.1	10/10/23	Update Accessoires





Installation and User instructions

Version: V1.1.1
Date: 10/10/2023

Contact details Manufacturer

AED Distribution

Bedrijvenpark De Veert 12,
2830 Willebroek – Belgium

Tel.: +32 3 860 76 66

Mail: info@aedaudio.com

<http://www.aedaudio.com>

Manufacturer's declarations

EU declaration of conformity



Licenses and credits



General Safety information and general safety instructions

For your own safety, please read this instruction manual carefully before turning on the product for the first time.

Warnings

Always take note of any information marked with the CAUTION or WARNING symbol.



The signal word WARNING points out the potential risk of serious injury.



The signal word CAUTION points out the potential risk of slight injury. The CAUTION symbol is used to draw attention to circumstances which could cause the machine to become damaged.

Safety features & devices of the Product

The pictograms, warnings and instructions attached to the Product are part of its safety features. They must not be covered or removed and must be present and legible during the entire use of the Product. Immediately replace or repair missing, damaged or illegible pictograms, warnings and instructions.

	The products referred to in this manual conform to the European Community Directives and are therefore marked with CE logo.
	Before operate this unit, please carefully read this users guide and keep if needed in future.
	The device can only run with 240V voltage, 50/60 Hz power, don't connect to any other wrong power source.
	Safety I class device, need to be earth connected.
	Keep this device away from children and unauthorized users, the manufacturer will not take responsibility for the damage due to any disregard of the information provided in this manual and wrong operation.
	Don't put or install the device on a surface that subject to vibration or bumps.





Other safety notes

Errors caused by not following these instructions are not covered by the warranty. The manufacturer will not accept liability for any resulting defects or problems.

- Keep the unit away from radiators or other heat sources!
- If the unit has been exposed to tremendous temperature changes (e.g. after transportation), do not turn the device on immediately. The resulting condensation could damage the unit. Don't switch the unit on until the device reaches room temperature.
- This device belongs to protection class I. Therefore, it is imperative that the green/yellow wire is connected to the earth contact or plug. The electrical connection must be made by a qualified person.
- Make sure that the cable has never been squeezed or damaged by sharp objects. Check the device and the cables regularly.
- If the cable is damaged, it must be replaced immediately by the manufacturer, its service agent or a qualified person in order to avoid danger.
- Ensure that wires never come in contact with other wires! Handle the power cord and all connections with caution!
- Make sure that the line voltage is not higher than the voltage specified in this manual.
- Disconnect the unit from the AC mains when it is not in use or when cleaning it.
- The plug on the power supply cord is used as disconnect device, the socket-outlet shall be easily accessible.

Modification

Under no circumstances any modification of the Product may be done by any person other than AED Audio.



System components

General characteristics and technical specifications

Technical data

Type	Solid28
Configuration	Powered subwoofer
LF transducer	2x 18" Neodymium
Frequency response -6 dB	27 – 100 Hz
Frequency response -10dB	25 – 150 Hz
Maximum rated SPL	137 dB
Amplifier	Class D 3.000W RMS – 6.000W peak
AC power input	100 VAC – 7A 120 VAC – 6,6A 240 VAC – 3,3A
Controls	Power - Rotary encoder - Selection button - 2x Level
Indicators	LCD display - Rotatable multipurpose front LED indicator (power, limiter, network, off) - 3x signal LED - Network LEDs
Connectors	2x XLR/F 1/4" combo - 2x XLR/M loopthrough - 1x XLR/M mixout - 2x RJ45 4x4 Dante(AES67) & Control
Extra connectivity	Multicast Bluetooth® receiver/sender – NFC
Enclosure	Wood
Color	Black (RAL 9011)
Grill	Powder coated steel - Internal lining
Dimensions (WxHxD)	850 x 1210 x 610 mm 33.46 x 47.64 x 24.01 in
Net Weight	87 kg – 191.8 lb
Attachment	2x M20
Optional accessories	Cover28 – Solid protect – Wheel plate – Vertical coupler – Touring dolly– Yoke
Power cable included	Not included



Dimensions drawing





Transportation, handling and commissioning

Transportation

Keep the product dry and the temperature between 0°C and 30°C to avoid damage to the speaker. Please always handle with care.

Remove the shipping assembly

Before unpacking the fixture, please make sure that the packaging is in good condition and that following items will be found in the box:

- 1x SOLID28

Remove the tape from the box and open the box. Take the unit out and remove the plastic foil around the unit. Make a visual inspection of the unit. Please check condition of units while unpacking, if any damages occur, the unit must be repaired/replaced before it can be used. Please contact your local distributor for service. If units are damaged and still used, AED Audio cannot be held liable for any risk/danger or occurrence given by these damaged units.

Installation

There are specific regulations like BGV C1 (old VBG 70) or country related regulations which need to attend during the installation. The installation has to be handled by skilled persons only!

Suspension device has to be built and calculated in order to handle up to 10 times its specific load limit over a time of one hour without permanent or harmful deformation. Installation has to be done with a separate, independent suspension device like a safety chain. Trespassing the danger zone below the installation during the assembling is prohibited. Installer has to take care of all safety and machinery installations are approved by authorized persons before first operation or after changes before restarting. Installer has to take care of all safety and machinery installations are approved by skilled persons at least once a year. Installer has to take care of all safety and machinery installations are approved by authorized persons every four years during the acceptance inspection. Spotlight should ideally installed outside peoples lounge area.

Attention

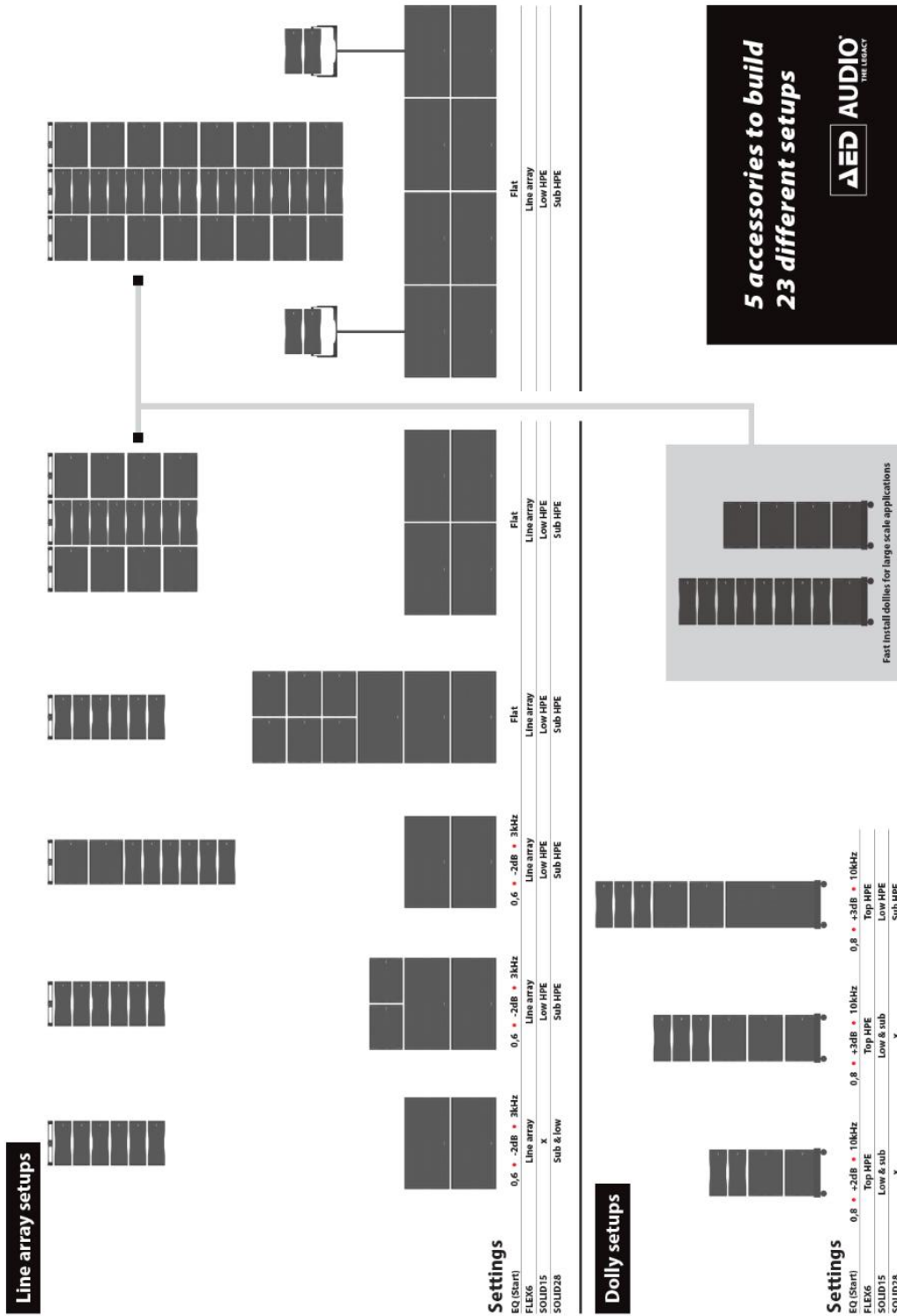
Installation overhead needs a high level of experience. This includes (but is not just limited to) calculation and definition of load capacity, used installation material and regular safety inspections of used material and the fixture itself. Never try to do the installation by yourself if you are not qualified, instead you have to instruct a skilled installer. Inappropriate installations can cause injuries and/or damage of property.

Mounting place must be sufficient stable and be able to support a weight of 10 times of the unit's weight.

Assure the specified safety distances to flammable material.







Loudspeaker configurations

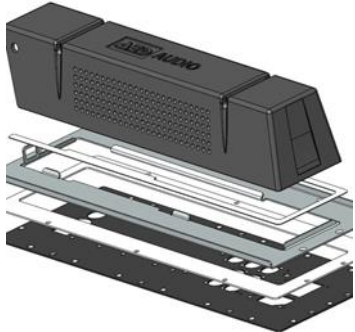
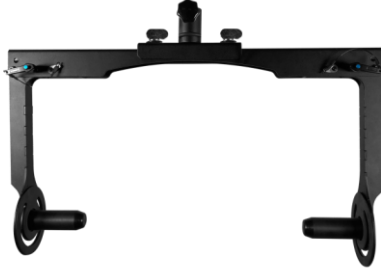




Accessories

<p style="text-align: center;">COVER28</p> <ul style="list-style-type: none">• Transport cover for Solid28• Recommended for use with Wheelplate28• Fabric cover with hardboard protection for connections and LCD screen	
<p style="text-align: center;">WHEELPLATE28</p> <p>Frontloaded wheelplate</p> <ul style="list-style-type: none">• Frontloaded wheelplate for Solid28• Bluewheels included• Easy sliding locking mechanism with spring• Stackable	
<p style="text-align: center;">TOURING DOLLY</p> <p>Universal touring dolly</p> <ul style="list-style-type: none">• Universal touring dolly for Solid15 and Solid28• Keep cabling connected during transport• Movable wooden cable tray and bluewheels included• Fits multiple Solid15's (optionally stacked with Flex6's)• Fits 1x Solid28 (optionally stacked with Solid15's and/or Flex6's)	
<p style="text-align: center;">VERTICAL COUPLER</p> <p>For vertical stacking</p> <ul style="list-style-type: none">• Vertical stacking of FLEX6, SOLID15 and SOLID28• Can be used in all handles on all the AED Audio speakers• Metal piece, covered with rubber to protect the wood on the cabinets	



<p style="text-align: center;">SOLID PROTECT</p> <p>Outdoor protection cover</p> <ul style="list-style-type: none">• Outdoor protection cover for SOLID15 and SOLID28• Reduces risk of water leakage• Reduces risk of overheating in direct sunlight• Metal connection piece + fabric cover with sliders for easy access	
<p style="text-align: center;">YOKE</p> <p>Yoke mount for FLEX6 or SOLID15</p> <ul style="list-style-type: none">• For max. 2x FLEX6 or 1x SOLID15• 2x brackets*, 1x pole mount piece included• Compatible for 30 cm and 40 cm truss (with quick lock)• Completely foldable• Fix install directly against a ceiling/wall possible <p>* without clamps</p>	



Operation

Powering on/ off

Turn on or off the device by flipping the rocker switch at the backside of the speaker.

Using the main menu

Use the menu and back button to navigate through the menu.

Line	Line
	Mic

PRESETS	Full Range
	Top HPE
	Line-Array HPE

DELAY	m / feet / msec
-------	-----------------

Settings	BLUETOOTH	Device name
		Connect
	Group & Name	Name
		State
		ID
		Group
	NETWORK	IP / subnet
		device number / unique name
	General	Brightness
		LED
		Locate
		Lock
	Self Test	Start
	Info	Software
		Hardware
S/N		
Default Setting	Yes / No	





EQ	eq1/ shelve	Freq / Q / gain
	eq2	Freq / Q / gain
	eq3	Freq / Q / gain
	eq4/ shelve	Freq / Q / gain
	FLAT	Yes / No

Maintenance

Operation only allowed to qualified person, damages due to unprofessional operation or remove of any parts inside will not be considered in warranty service. There are no serviceable parts inside the device or package, service only leaves to authorize dealers.

Troubleshooting and repair

Fault list

Problem	Fault message	Solution
The unit will not turn on.	n/a	<ul style="list-style-type: none">Connect the power plug to the outletTurn on the device with the on/off switch





Repair

If the Product is damaged or malfunctions, contact the AED Audio Service Department or a AED Audio authorized distributor. Repairs by parties other than AED Audio or a AED Audio authorized distributor may not involve the use of AED Audio genuine parts and may affect the safety and functionality of the Product. For repair options or specific inquiries, please contact the AED Audio Service Department.

Contact details certified repair center

AED Repair

Bedrijvenpark De Veert 11,
2830 Willebroek – Belgium

Mail: info.repair@aedgroup.com

<https://www.aedgroup.com/en/services/aed-repair>



Notes

All rights reserved. No part of this manual may be copied or published by means of printing, photocopying, microfilm or otherwise without the prior written consent of the manufacturer. This restriction also applies to the corresponding drawings.

The information given in this manual has been collected for the general convenience of our customers. It has been based on general data pertaining to construction material properties and working methods known to us at the time of issue of the manual and is therefore subject at any time to change or amendment, and the right to change or amend is hereby expressly reserved. The instructions in this manual only serve as a guideline for installation, use, maintenance and repair of the product mentioned on the cover page of this document. This manual is to be used for the standard model of the product of the type given on the cover page. Thus the manufacturer cannot be held responsible for any damage resulting from the application of this manual to any other product.

This manual has been written with great care. However, the manufacturer cannot be held responsible, either for any errors occurring in this manual or their consequences.

